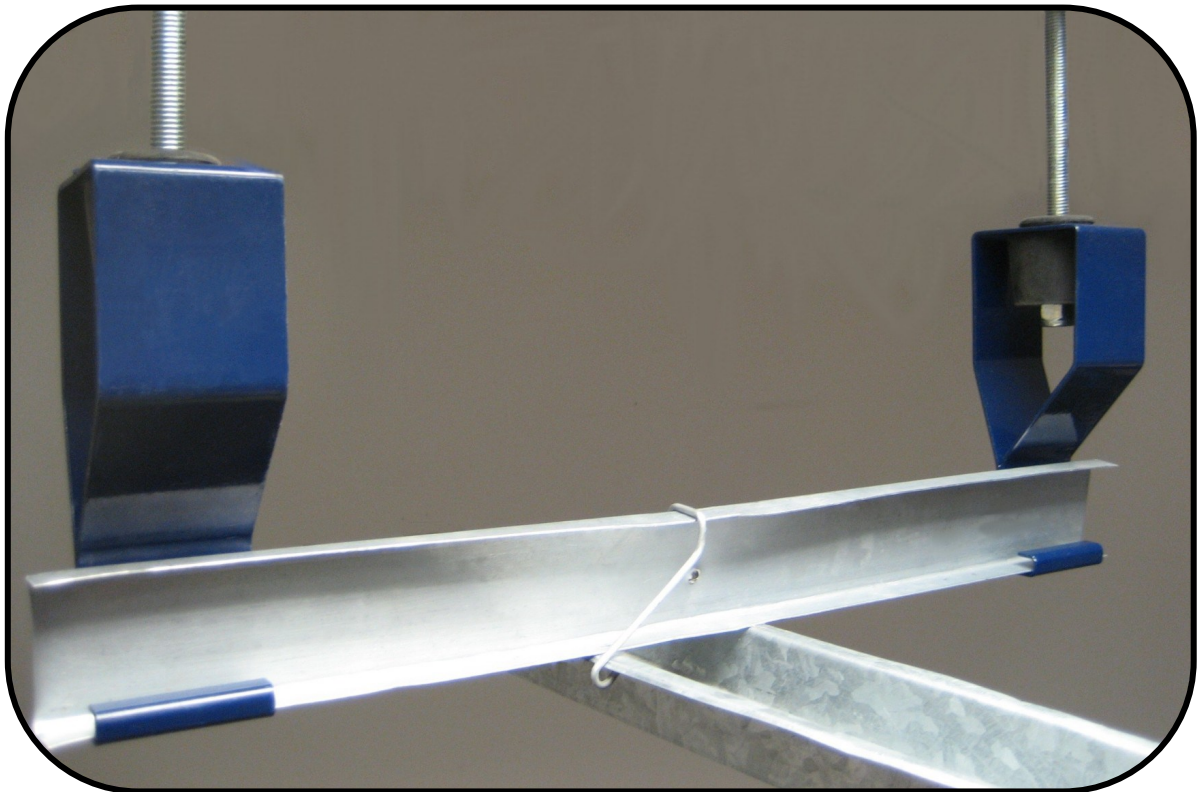




MASON U.K.

VIBRATION CONTROL PRODUCTS AND
ACOUSTIC FLOOR SYSTEMS

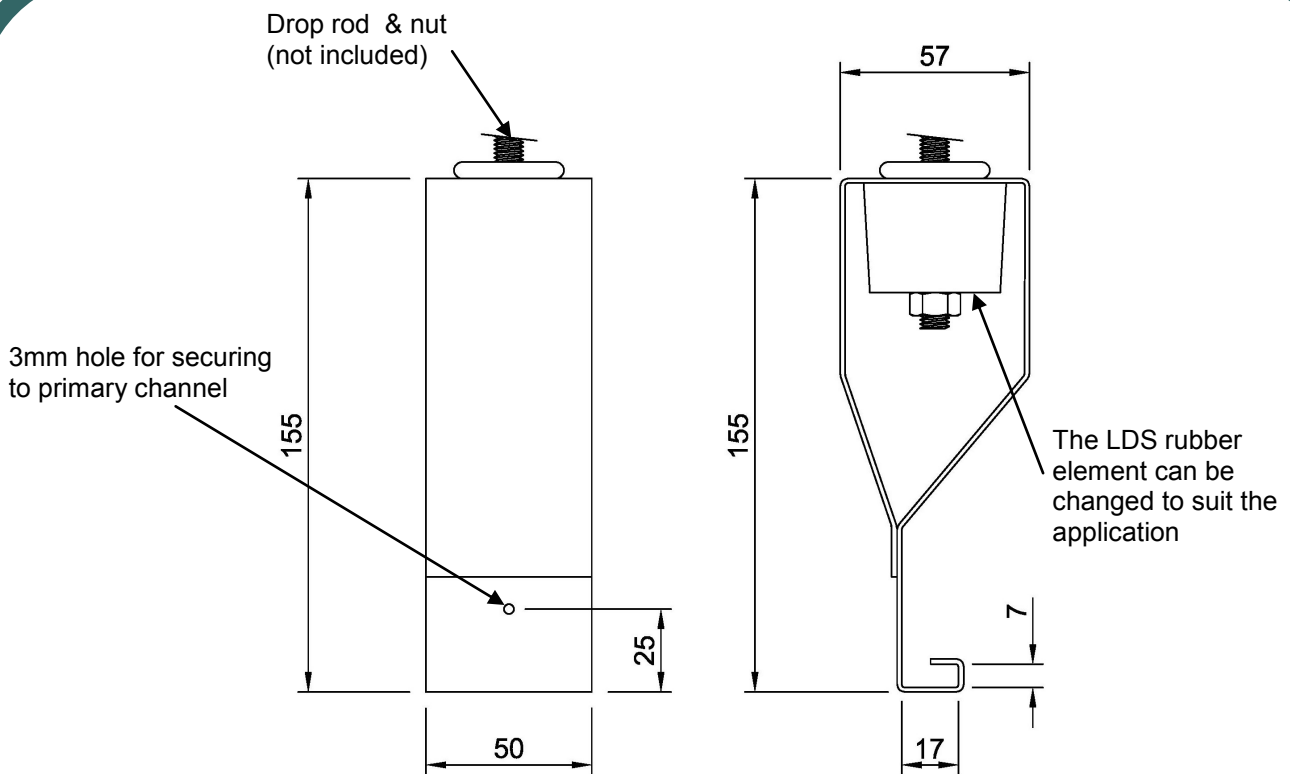
HDQF-A Quick Fit Ceiling Hanger (LDS Rubber Variant)



- Allows for quick and easy installation of most metal grid ceiling systems.
- The hangers can support ceiling weights of up to 57kg per hanger.
- The spring elements can provide up to 6mm static deflection, with a hanger natural frequency of down to 8Hz.
- The LDS rubber element can be replaced with a variety of spring elements (see HDQF-X Series).

Mason U.K. Ltd.
Unit 6 Abbey Business Park
Monks Walk
Farnham, Surrey
GU9 8HT

Phone: 01252 716610
Fax: 01252 716630
E-mail: info@mason-uk-co.uk
Web: www.mason-uk.co.uk



Installation instructions:

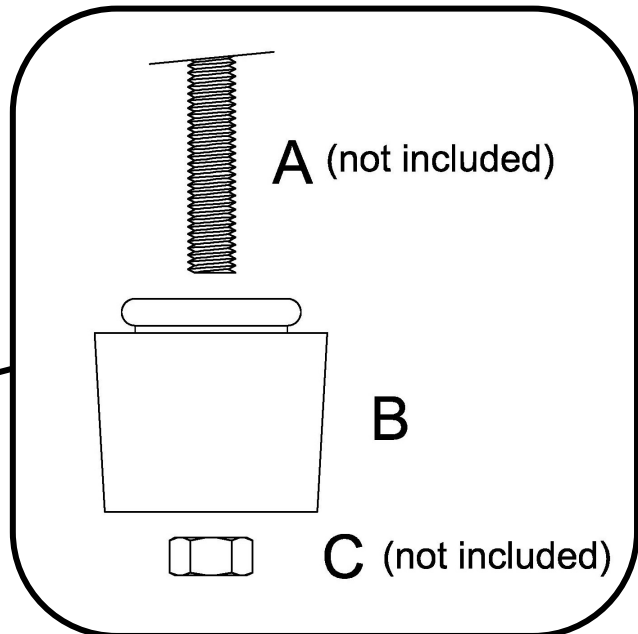
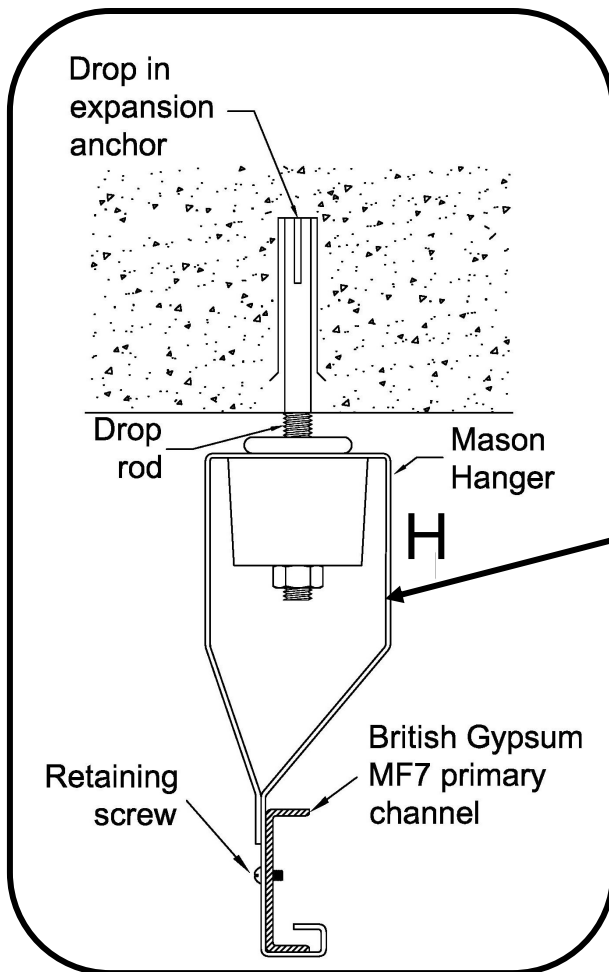
- Fix the top of the drop rod to the soffit, bracket or ceiling joist as required.
- Assemble rubber element and drop rod assembly with the a lock-nut to the hanger box.
- Ensure to leave a gap of at least 10mm between the soffit and the hanger
- Set all the hangers to the same height by laser or similar method.
- Rotate primary channels into the hanger bracket and fix with sheet metal screws as necessary through the hole provided.
- Clip the secondary (top hat) sections to the primary channels.
- Install the ceiling system in the normal way.

	<i>Durometer</i>	<i>Max rated capacity (kg)</i>	<i>Rated deflection (mm)</i>	<i>Rated Natural Frequency (Hz)</i>
<i>HDQF-A-Black</i>	30	Up to 20	6	8
<i>HDQF-A-Green</i>	40	14-34	6	8
<i>HDQF-A-Red</i>	50	27-57	6	8

Mason U.K. Ltd.
 Unit 6 Abbey Business Park
 Monks Walk
 Farnham, Surrey
 GU9 8HT

Phone: 01252 716610
 Fax: 01252 716630
 E-mail: info@mason-uk-co.uk
 Web: www.mason-uk.co.uk

Typical Installation for Mason HDQF-A Series Spring Hangers



A	-	Drop Rod (not supplied)
B	-	LDS Rubber element
C	-	Self-locking nut (not supplied)
H	-	Mason hanger box

- Mason HDQF-A series spring hangers are designed to gain a deflection of approximately 6mm at rated capacity.
- Please allow for the rated deflection of the spring hanger when installing ceiling systems.
- If the rated deflection is not considered, sagging and or damage of the ceiling and surrounding areas may occur.

Mason U.K. Ltd.
Unit 6 Abbey Business Park
Monks Walk
Farnham, Surrey
GU9 8HT

Phone: 01252 716610
Fax: 01252 716630
E-mail: info@mason-uk-co.uk
Web: www.mason-uk.co.uk